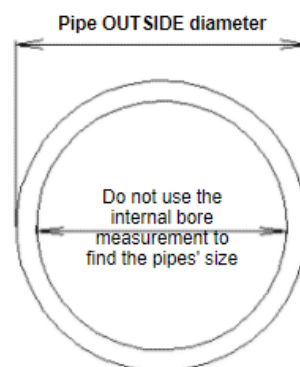


Pipe Sizes and Dimensions Chart

Find the outside diameter of your pipe to the nearest millimetre, use a tape measure or vernier gauge. Then find this size down the left hand column, read across the four coloured columns on the right to find the group and description for your size pipe. If your size only appears in one column, look at the top of that column to see which group it is - metric, imperial, solvent or push fit. If your pipe size appears in more than one column then it will work with all those groups. If the pipe is grey it is more likely to be pressure pipe. But please feel free to ask if you are uncertain.

Your Pipe Size OUTSIDE diameter	Metric Pressure Pipe	Imperial Pressure Pipe (Inch)	Domestic Waste pipe Solvent Weld (glue)	Domestic Waste pipe Push Fit (rubber ring seal)
12mm	12mm			
16mm	16mm			
17.1mm		3/8"		
20mm	20mm			
21.4mm		1/2"		
25mm	25mm			
26.7mm		3/4"		
32mm	32mm			
33.6mm		1"		
35mm				32mm or 1 1/4"
36mm			32mm or 1 1/4"	
40mm	40mm			
41mm				40mm or 1 1/2"
42.2mm		1 1/4"		
43mm			40mm or 1 1/2"	
48.3mm		1 1/2"		
50mm	50mm			
54mm				50mm or 2"
56mm			50mm or 2"	
60.3mm		2"		
63mm	63mm			
75mm	75mm			
75.2mm		2 1/2"		
82mm			82mm or 3"	82mm or 3"
88.9mm		3"		
90mm	90mm			
110mm	110mm		110mm or 4"	110mm or 4"
114.3mm		4"		
125mm	125mm			
140mm	140mm			
140.2mm		5"		



TYPE: TECH DOCUMENT

ISO 9001:2015 Accredited Company

Tel: +44(0)1386 552369

Fax: +44(0)1386 554227

sales@allvalves.co.uk

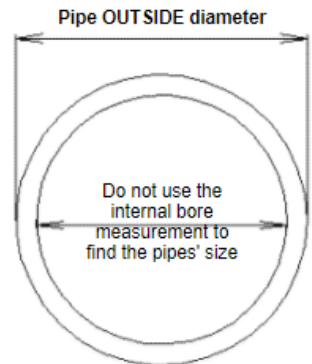
www.allvalves.co.uk

Allvalves Online Ltd, Automation House, Unit 2, Pershore, WR10 2DF UK

Pipe Sizes and Dimensions Chart

Find the outside diameter of your pipe to the nearest millimetre, use a tape measure or vernier gauge. Then find this size down the left hand column, read across the four coloured columns on the right to find the group and description for your size pipe. If your size only appears in one column, look at the top of that column to see which group it is - metric, imperial, solvent or push fit. If your pipe size appears in more than one column then it will work with all those groups. If the pipe is grey it is more likely to be pressure pipe. But please feel free to ask if you are uncertain.

Your Pipe Size OUTSIDE diameter	Metric Pressure Pipe	Imperial Pressure Pipe (Inch)	Domestic Waste pipe Solvent Weld (glue)	Domestic Waste pipe Push Fit (rubber ring seal)
160mm	160mm		160mm or 6"	160mm or 6"
168.3mm		6"		
200mm	200mm			
219.1mm		8"		
225mm	225mm			
250mm	250mm		250mm	250mm
273.1mm		10"		
315mm	315mm		315mm	315mm



TYPE: TECH DOCUMENT

BSP Threaded Fitting Sizes

BSP screw thread sizes explained.
MALE bsp thread- the thread is cut into the **OUTSIDE** of the pipe and is measured on the outside diameter.
 To identify a threaded pipe fitting size compare the outside diameter of the threaded portion with our BSP pipe size chart. Male Thread - Outside Diameter

FEMALE bsp thread- the thread is cut into the **INSIDE** of the pipe, and is measured by the inside diameter.
 To identify a threaded pipe fitting size compare the inside diameter with our BSP pipe size chart- Female Thread- Inside Diameter.



MALE BSP THREAD



FEMALE BSP THREAD

BSP Thread size	¼"	⅜"	½"	¾"	1"	1¼"	1½"	2"
Male Thread - Outside Diameter	13mm	17mm	21mm	26.5mm	33.6mm	42mm	48mm	60mm
Female Thread - Inside Diameter	11.5mm	15mm	18.6mm	24mm	30mm	38.5mm	45mm	57mm